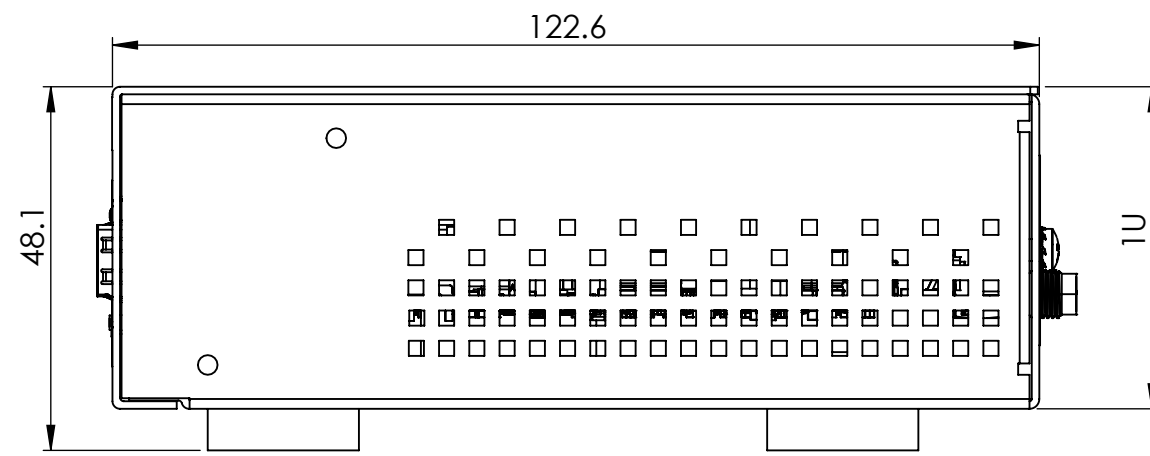
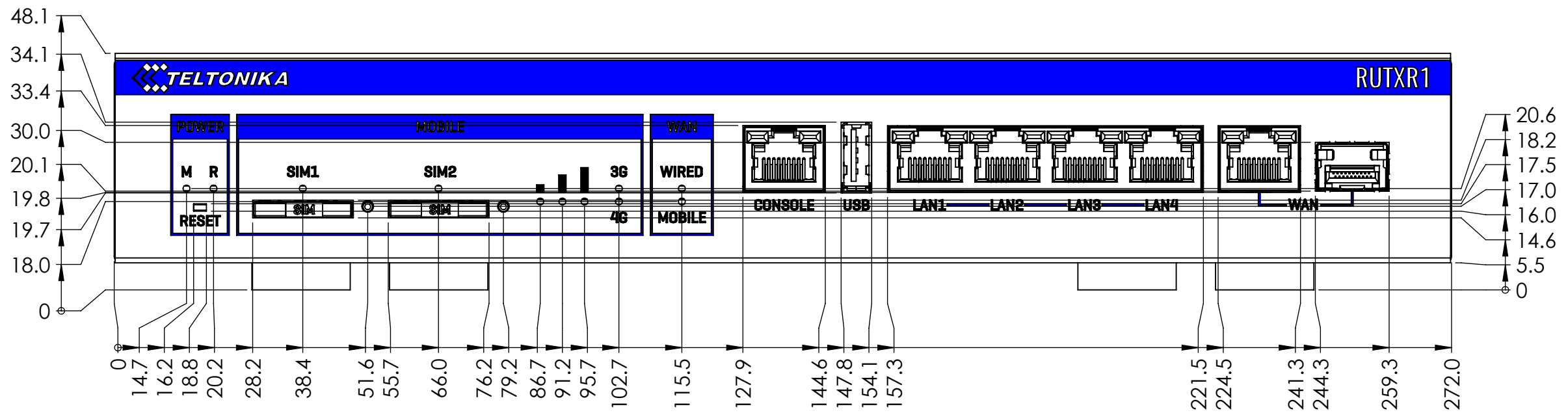


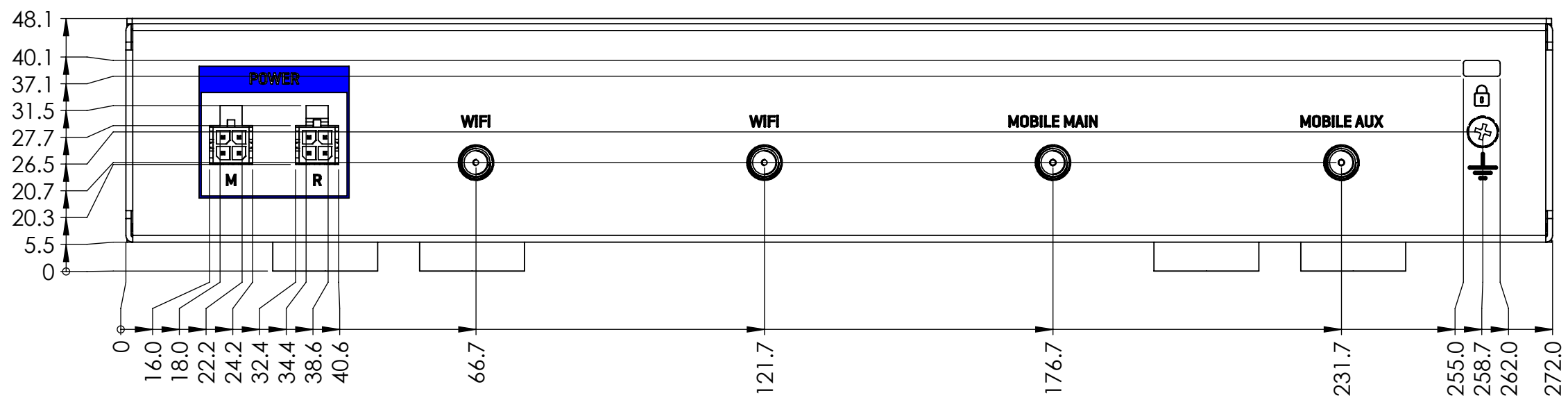
Top view



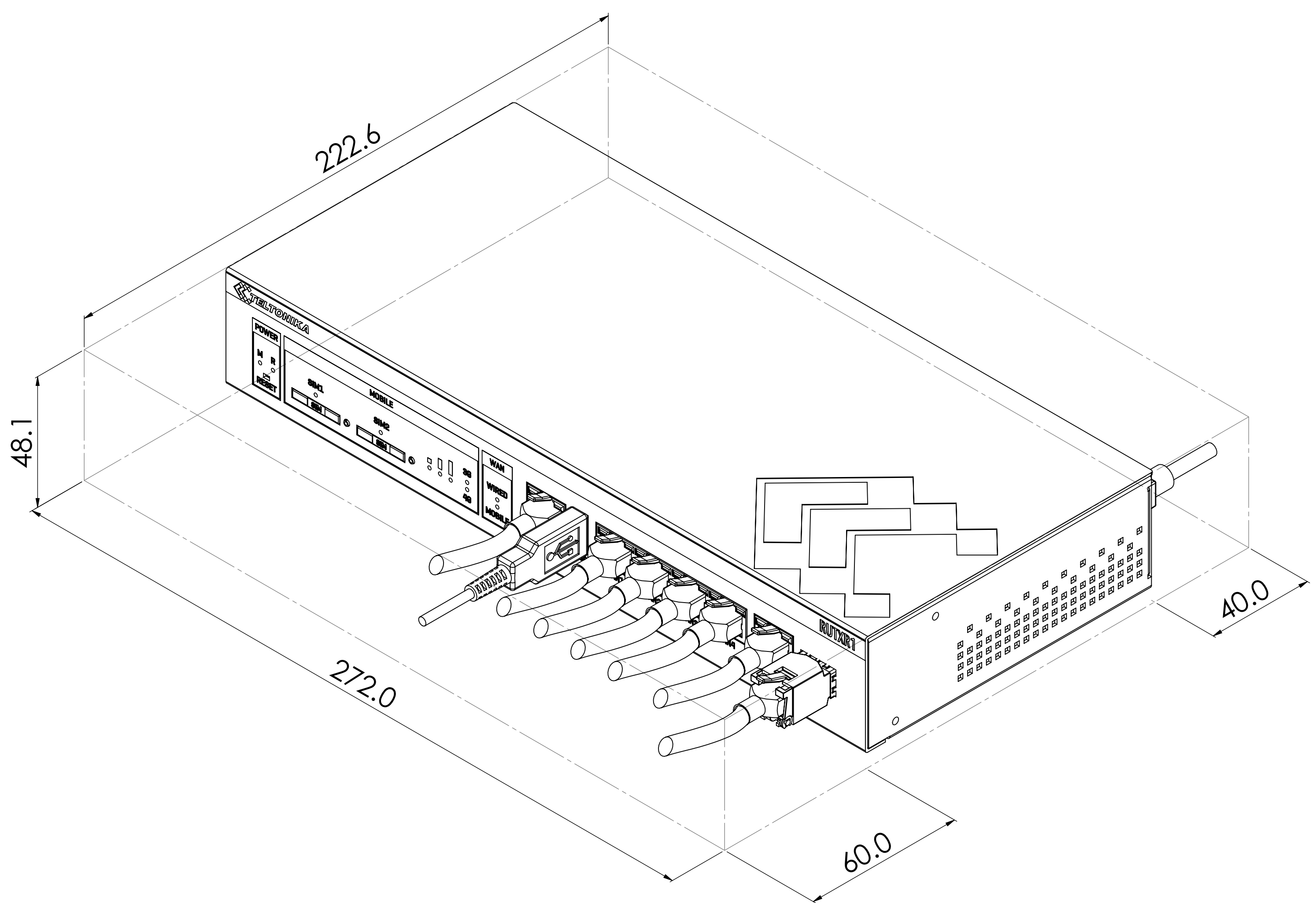
Right view



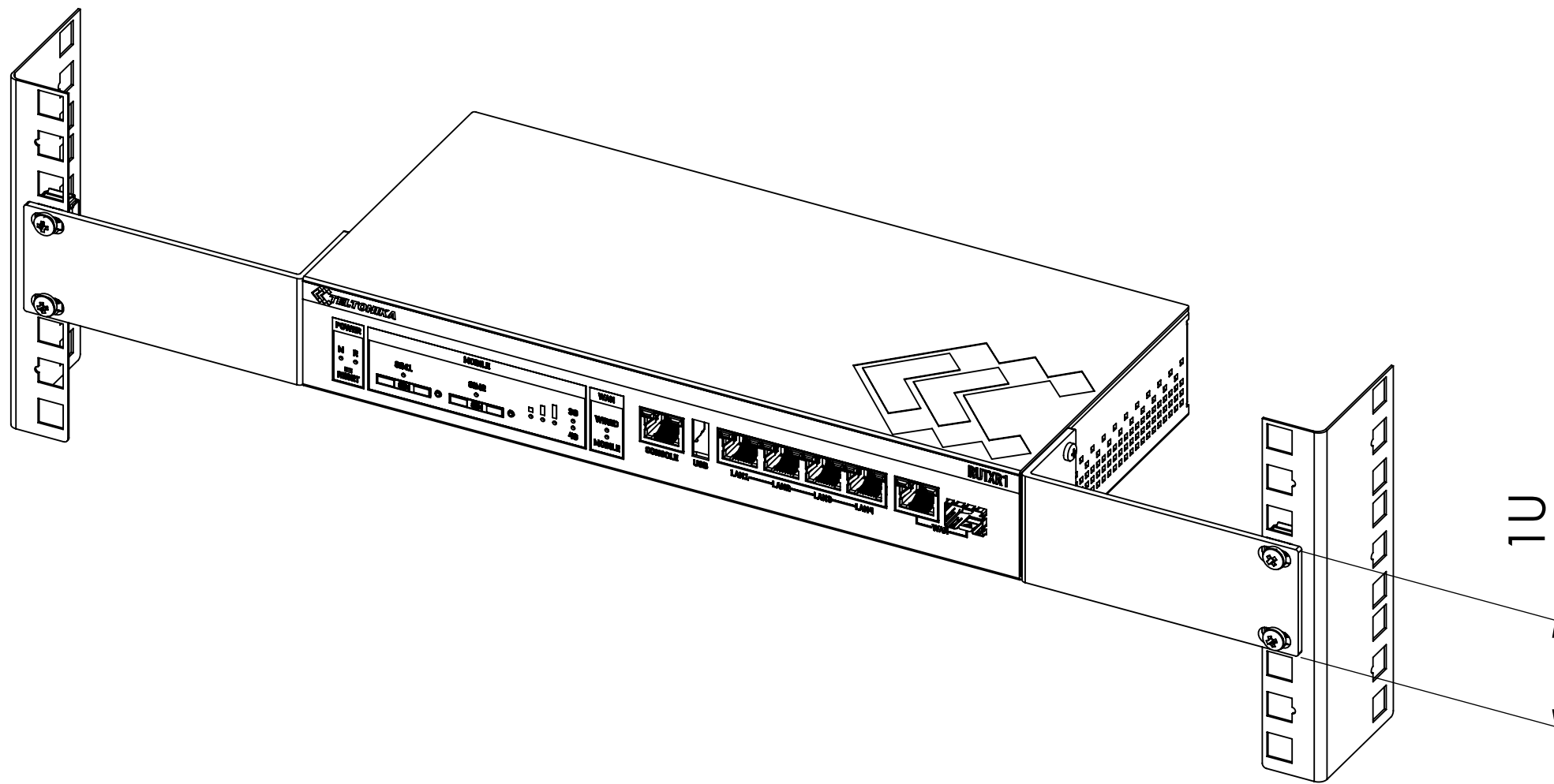
Front view



Rear view



Mounting space requirements
on surface (optional)



Mounting space requirements