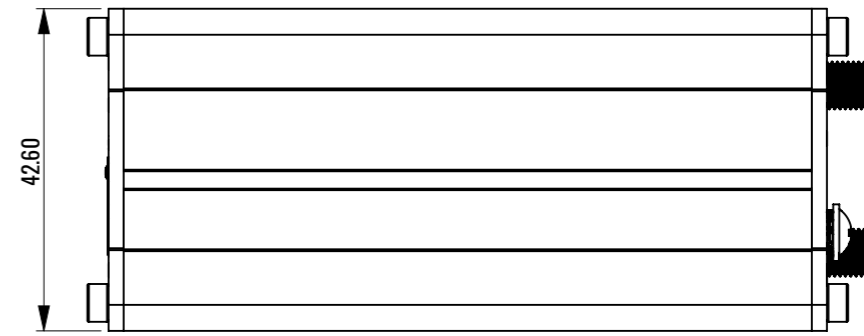
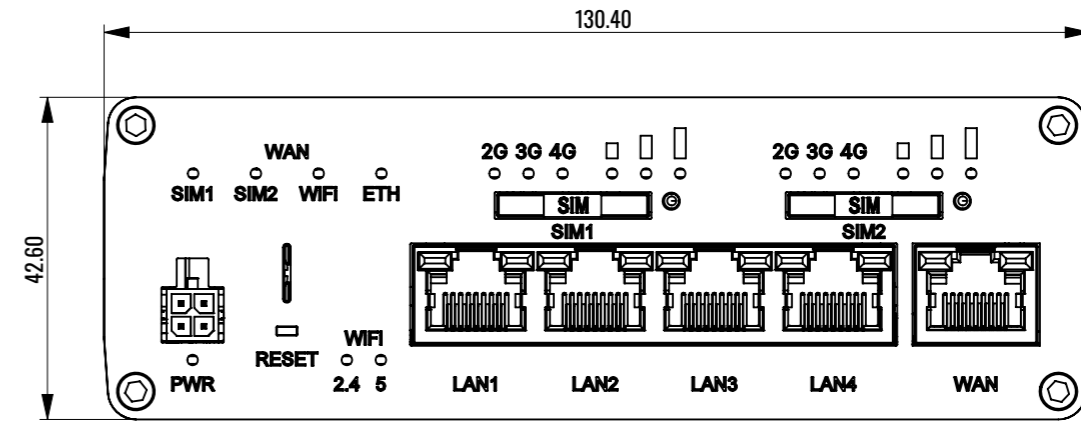


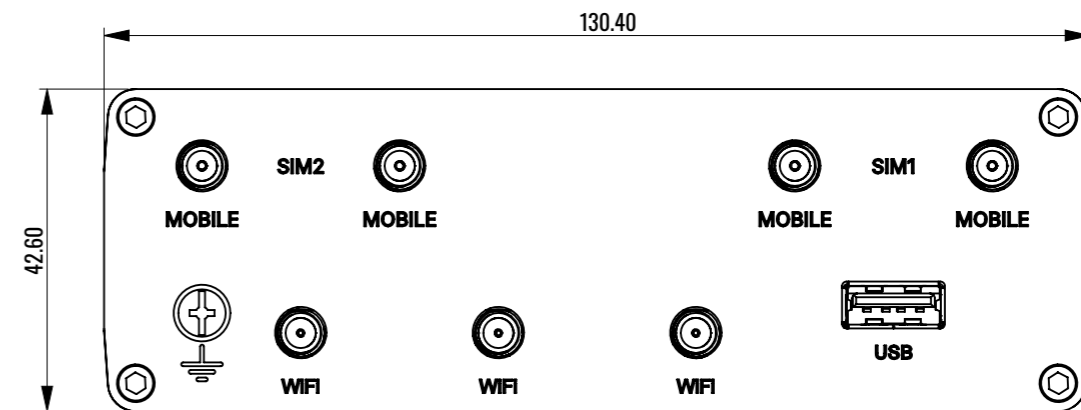
Top view



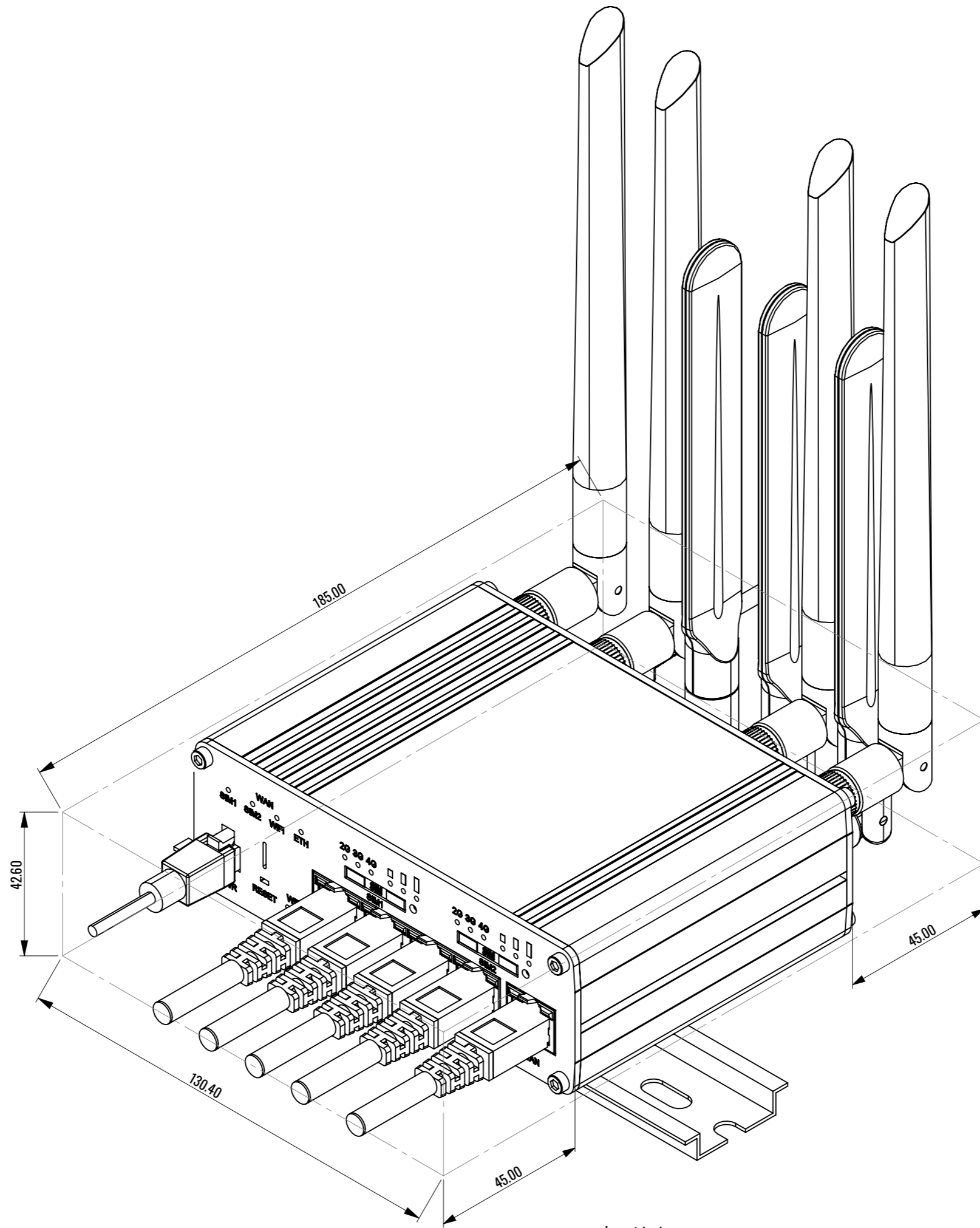
Right view



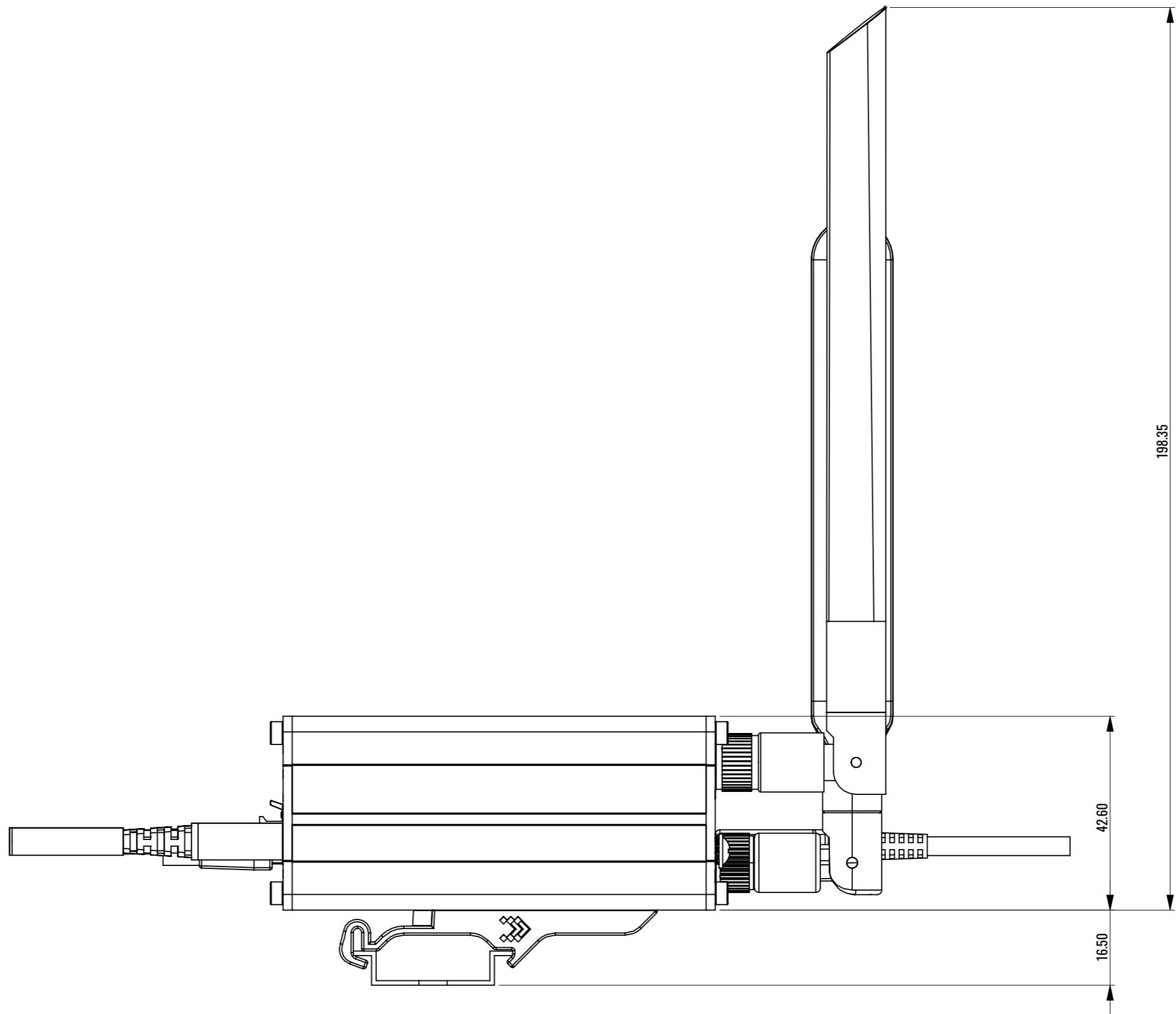
Front view



Rear view



Isometric view



Right view