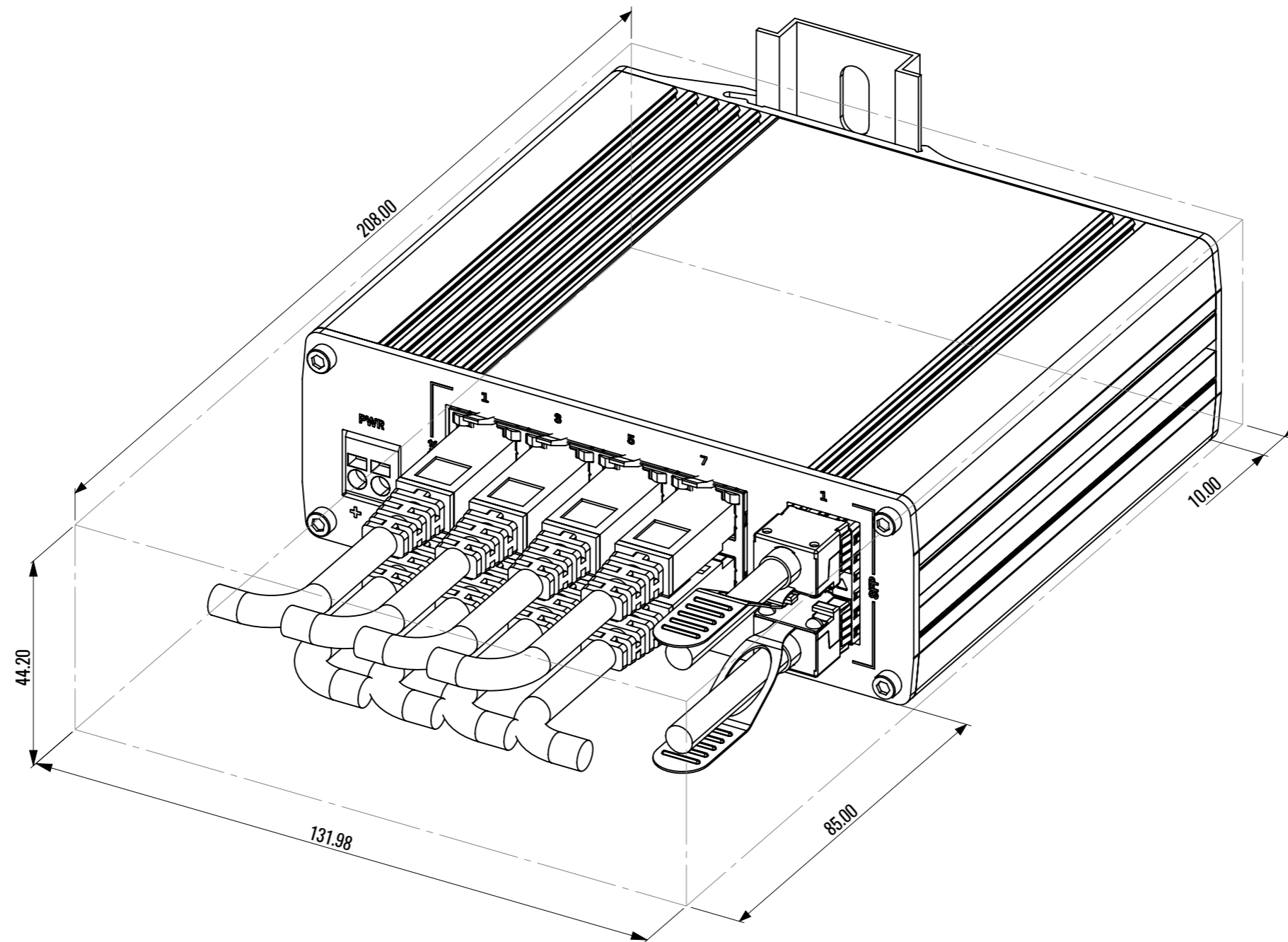


General tolerances ISO 2768 - mK					
Part Number:	0146_TW202DAM000X_01				
Description:	Spatial measurements				
Design By: AIGA	Date: 2023-05-23	Material:			
Drawn by: AIGA	Date: 2023-05-23	Volume:	cm ³	Weight:	g
	Project: TSW202	Units:	mm	Scale:	1:1
		Form.:	A3	Sheet:	1/2

Mounting space requirements



Part Number:	0146_TW202DAM000X_01				
Description:	Spatial measurements				
Units:	mm	Scale:	1:1	Form.:	A3
Sheet:	2/2				