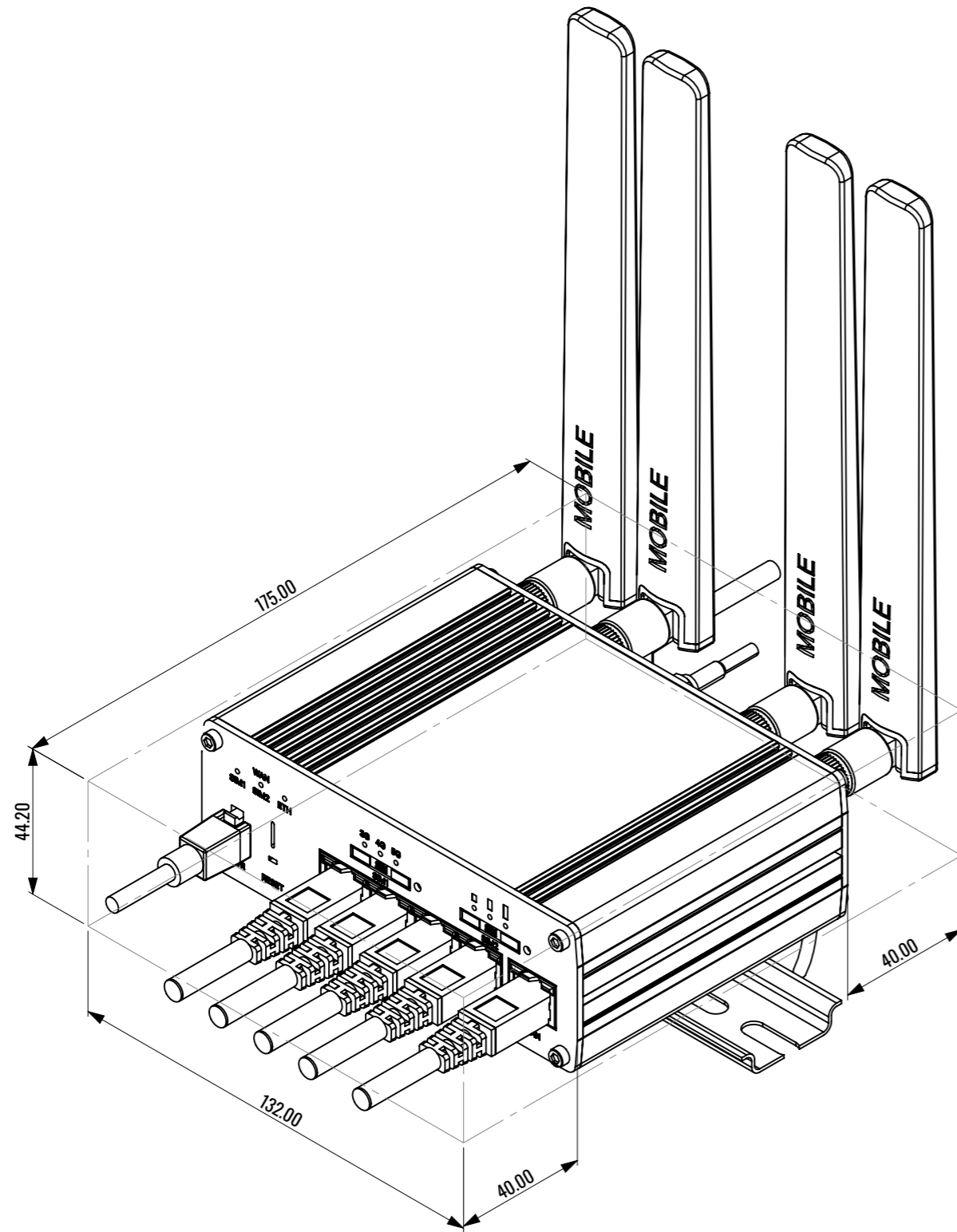


Isometric view



Right view

