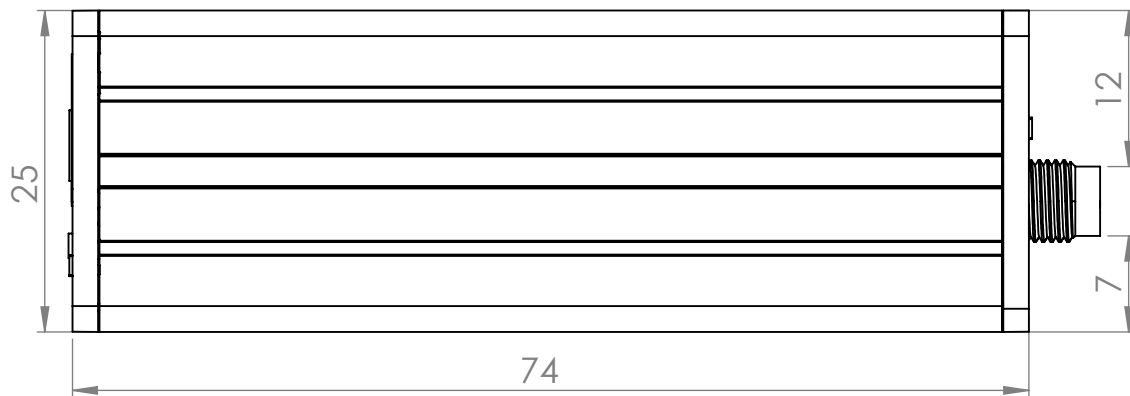

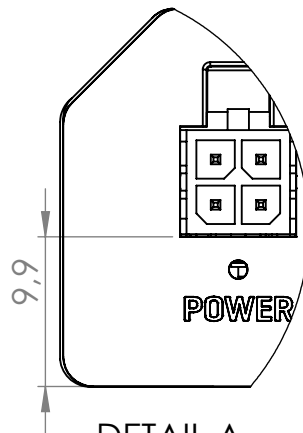
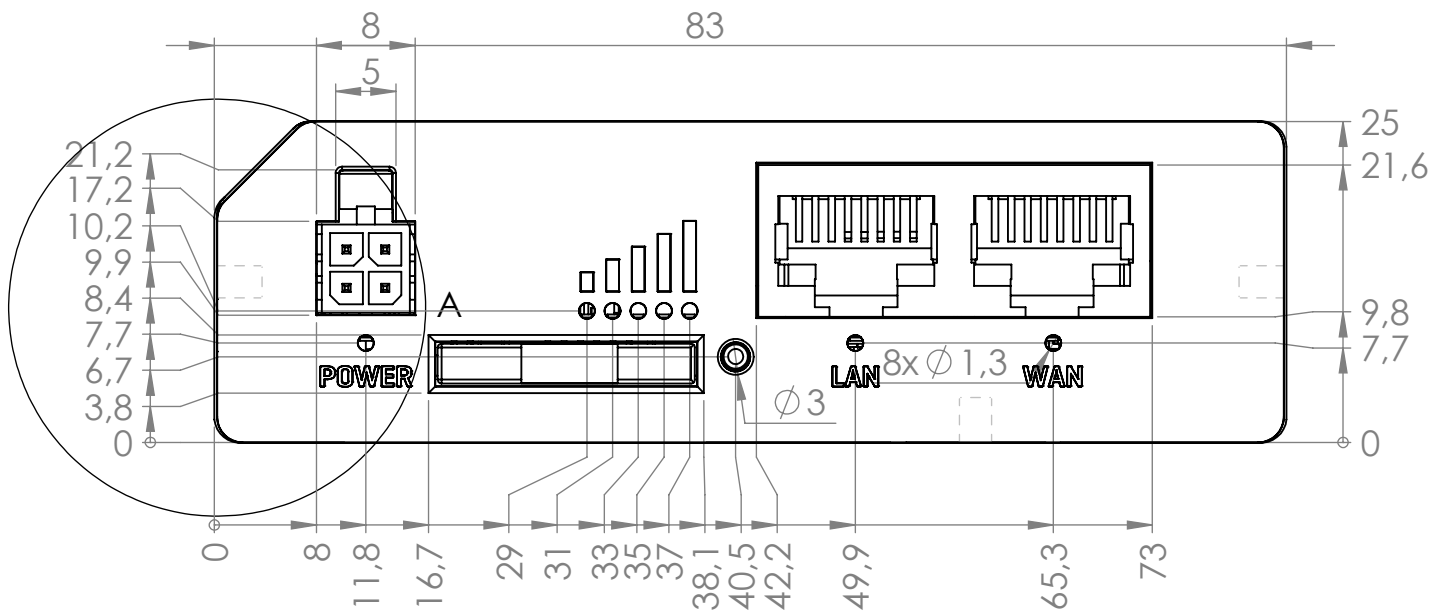


Top view




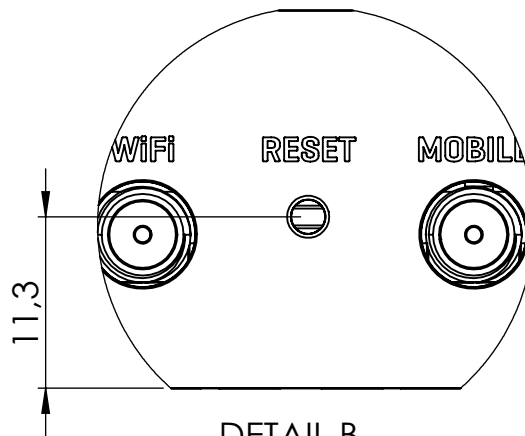
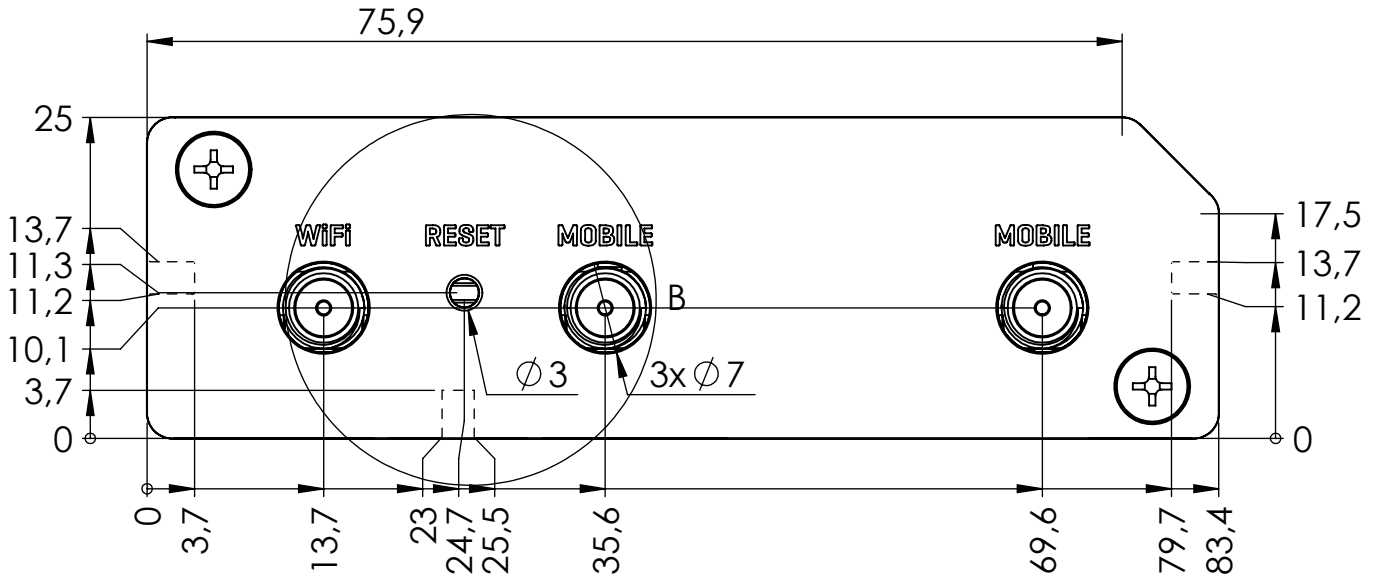
Right view

UNLESS OTHERWISE SPECIFIED: DIMENSIONS ARE IN MILLIMETERS SURFACE FINISH: TOLERANCES: LINEAR: ANGULAR:			FINISH:	DEBUR AND BREAK SHARP EDGES	DO NOT SCALE DRAWING	REVISION	RUT2xx																																																				
<table border="1"> <thead> <tr> <th></th> <th>NAME</th> <th>SIGNATURE</th> <th>DATE</th> <th></th> </tr> </thead> <tbody> <tr> <td>DRAWN</td> <td>Aidas Gaška</td> <td></td> <td>2018.04.23</td> <td></td> </tr> <tr> <td></td> <td></td> <td></td> <td></td> <td></td> </tr> <tr> <td></td> <td></td> <td></td> <td></td> <td></td> </tr> <tr> <td></td> <td></td> <td></td> <td></td> <td></td> </tr> <tr> <td></td> <td></td> <td></td> <td></td> <td></td> </tr> <tr> <td></td> <td></td> <td></td> <td></td> <td></td> </tr> <tr> <td></td> <td></td> <td></td> <td></td> <td></td> </tr> <tr> <td></td> <td></td> <td></td> <td></td> <td></td> </tr> <tr> <td></td> <td></td> <td></td> <td></td> <td></td> </tr> </tbody> </table>						NAME	SIGNATURE	DATE		DRAWN	Aidas Gaška		2018.04.23																																													TITLE:	<h2>RUT230/240</h2> <h3>Top and Right views</h3>
						NAME	SIGNATURE	DATE																																																			
DRAWN	Aidas Gaška		2018.04.23																																																								
	MATERIAL:	DWG NO.	RUT220_230_240_surinkimas_new_v1	A4																																																							
		WEIGHT:	SCALE:1:2	SHEET 1 OF 4																																																							



DETAIL A
SCALE 2 : 1

UNLESS OTHERWISE SPECIFIED: DIMENSIONS ARE IN MILLIMETERS SURFACE FINISH: TOLERANCES: LINEAR: ANGULAR:				FINISH:		DEBUR AND BREAK SHARP EDGES		DO NOT SCALE DRAWING		REVISION RUT2xx	
										TITLE: RUT230/240 Front view	
DRAWN	NAME	SIGNATURE		DATE		MATERIAL:		DWG NO.			
	Aidas Gaška			2018.04.23				RUT220_230_240_surinkimas_new_v1			
								SCALE:1:2		SHEET 2 OF 4	



DETAIL B
SCALE 2 : 1

UNLESS OTHERWISE SPECIFIED:
DIMENSIONS ARE IN MILLIMETERS
SURFACE FINISH:
TOLERANCES:
LINEAR:
ANGULAR:

FINISH:

DEBUR AND
BREAK SHARP
EDGES

DO NOT SCALE DRAWING

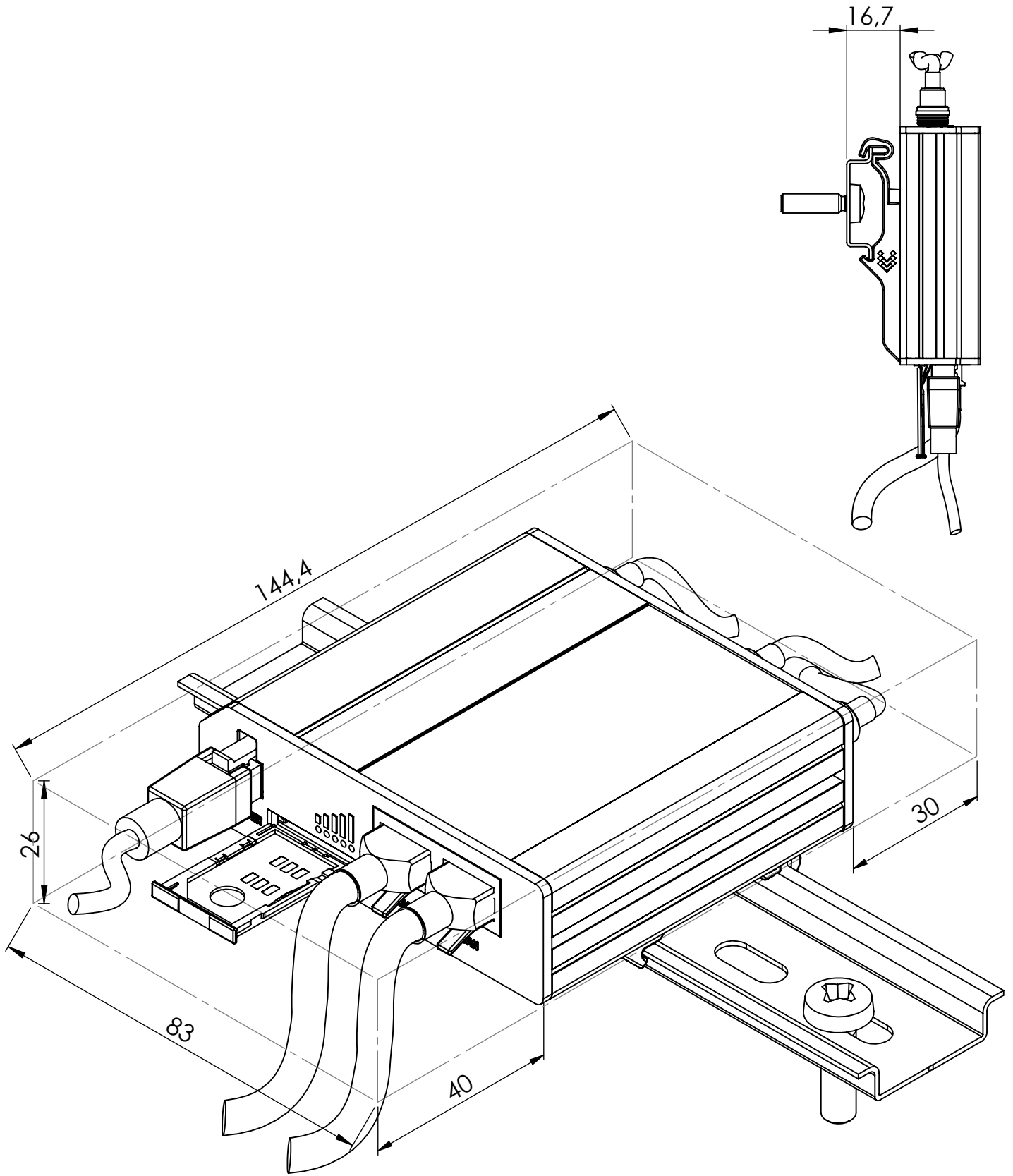
REVISION

RUT2xx



	NAME	SIGNATURE	DATE		
DRAWN	Aidas Gaška		2018.04.23		

TITLE:		<p>RUT230/240 Rear view</p>	
MATERIAL:			
DWG NO.	RUT220_230_240_surinkimas_new_v1	SCALE:	1:2
WEIGHT:		SHEET 3 OF 4	
			A4



UNLESS OTHERWISE SPECIFIED:
 DIMENSIONS ARE IN MILLIMETERS
 SURFACE FINISH:
 TOLERANCES:
 LINEAR:
 ANGULAR:

FINISH:

DEBUR AND
 BREAK SHARP
 EDGES

DO NOT SCALE DRAWING

REVISION

RUT2xx



NAME	SIGNATURE	DATE
Aidas Gaška		2018.04.23

TITLE:

RUT230/240
 Mounting space
 requirements

MATERIAL:

DWG NO.

RUT220_230_240_surinkimas_new_v1

A4

WEIGHT:

SCALE:1:2

SHEET 4 OF 4