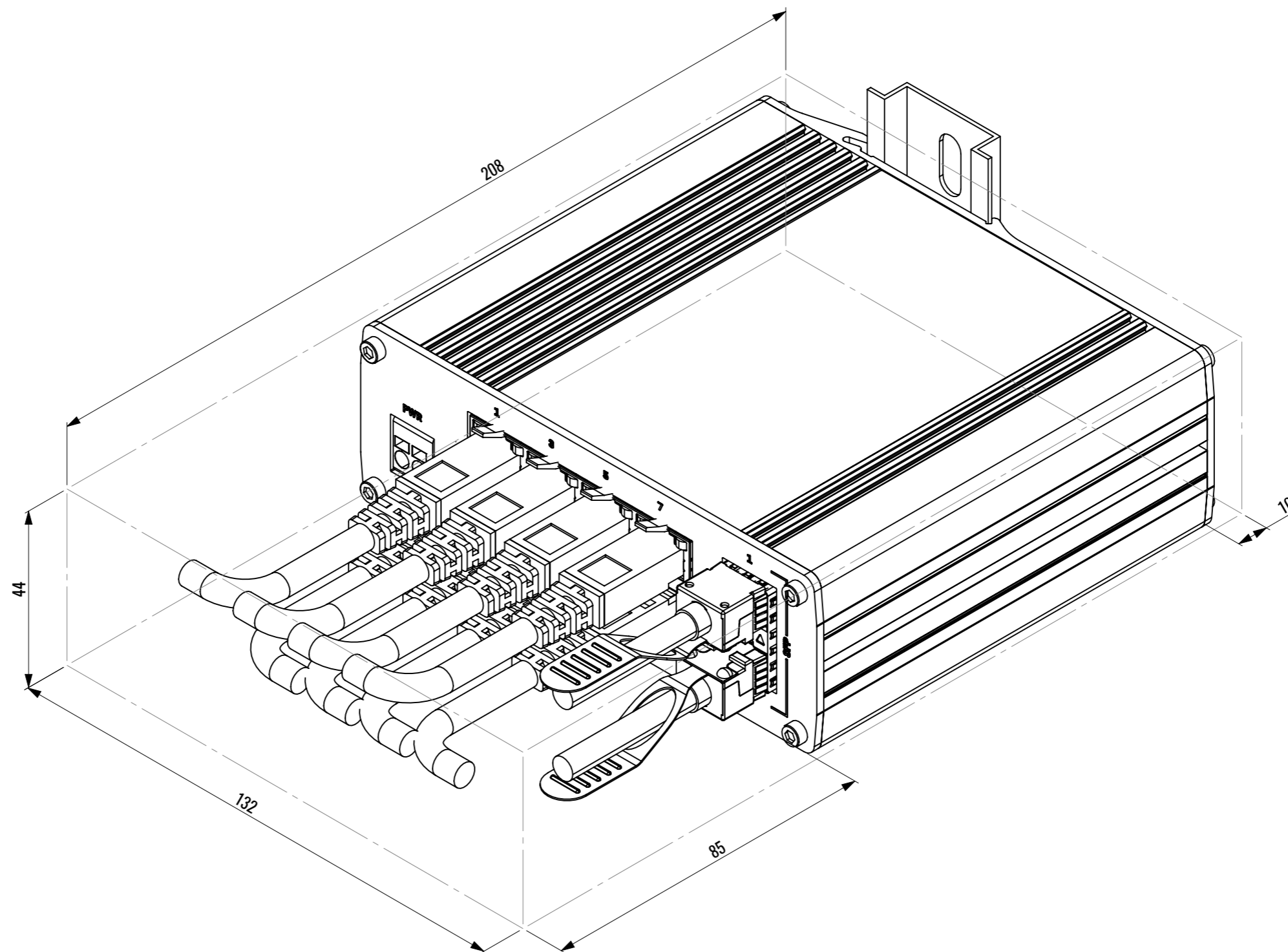


General tolerances ISO 2768 - mK					
Part Number:	0147_TW212DAM000X_01				
Description:	Spatial measurements				
Design By: AIGA	Date: 2023-04-06	Material:			
Drawn by: AIGA	Date: 2023-08-24	Volume:	cm <sup>3</sup>	Weight:	g
	Project: TSW212	Units:	mm	Scale:	1:1
		Form.:	A3	Sheet:	1/2



Part Number:	0147_TW212DAM000X_01				
Description:	Spatial measurements				
Units:	mm	Scale:	1:1	Form.:	A3 Sheet: 2/2