
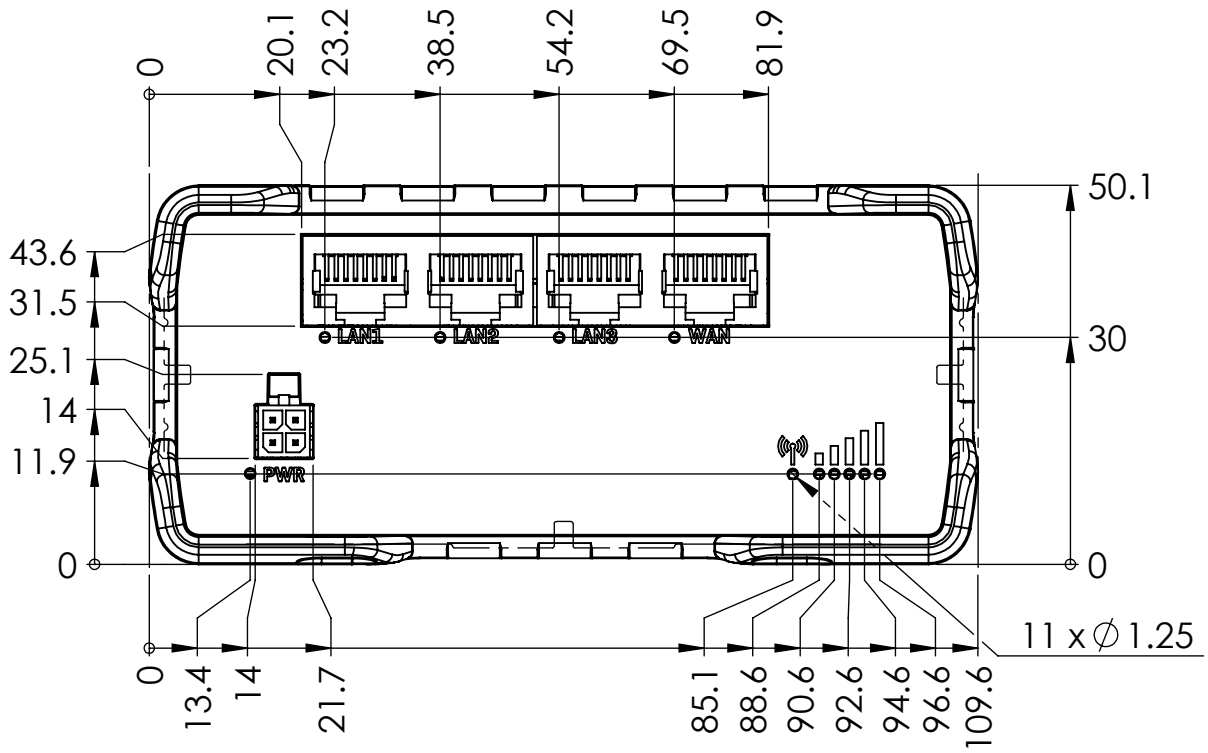



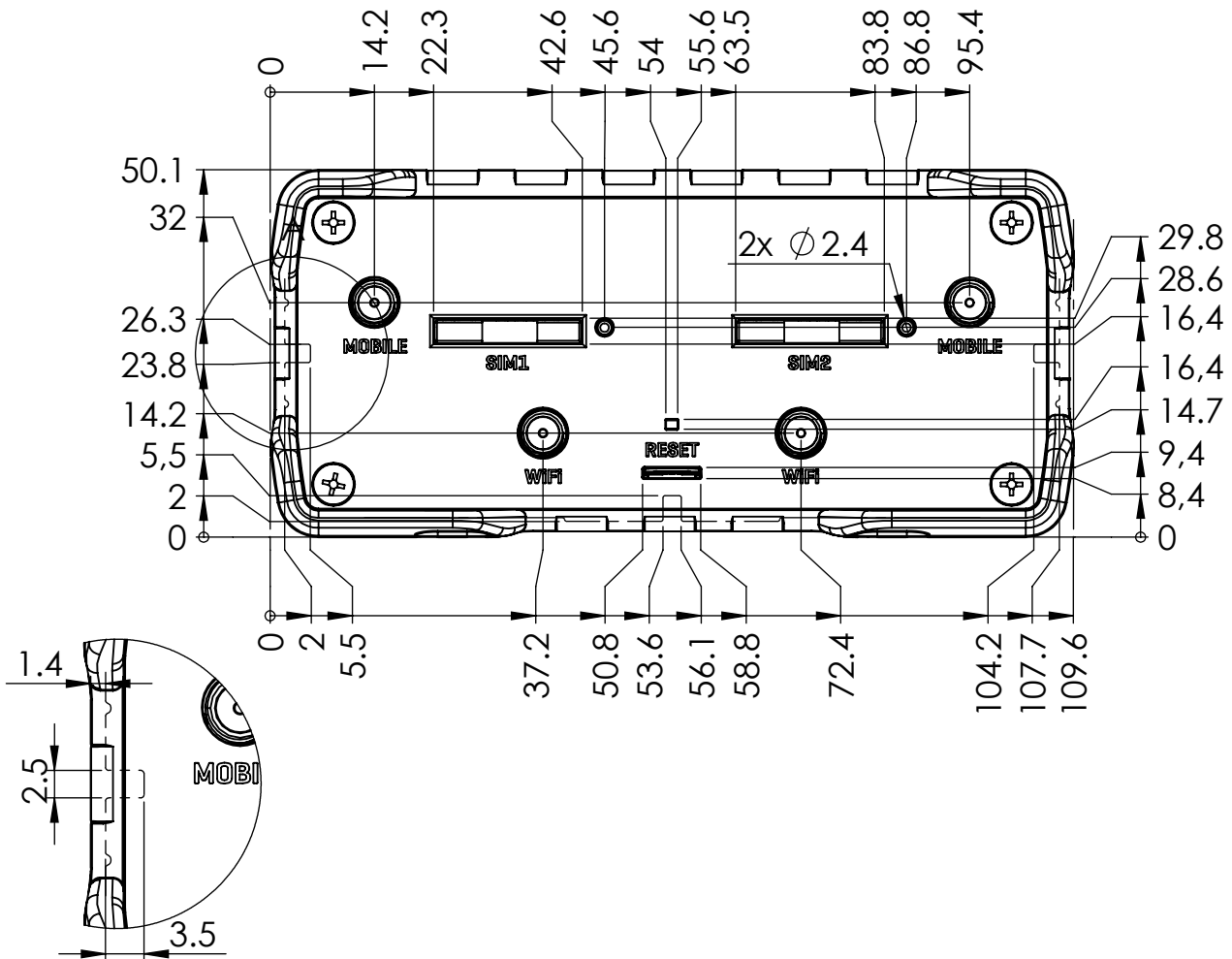
All dimensions will be specified in millimetres (mm)

UNLESS OTHERWISE SPECIFIED: DIMENSIONS ARE IN MILLIMETERS SURFACE FINISH: TOLERANCES: LINEAR: ANGULAR:				FINISH:		DEBUR AND BREAK SHARP EDGES		DO NOT SCALE DRAWING		REVISION RUT955_v3	
DRAWN Aidas Gaška				SIGNATURE		DATE 2018.08.01		 <p>TITLE: RUT900 / RUT950 Top and Right views</p>			
MATERIAL:				WEIGHT:		DWG NO. RUT950_R9XXDHS008					
SCALE:1:2				SHEET 1 OF 10							




All dimensions will be specified in millimetres (mm)

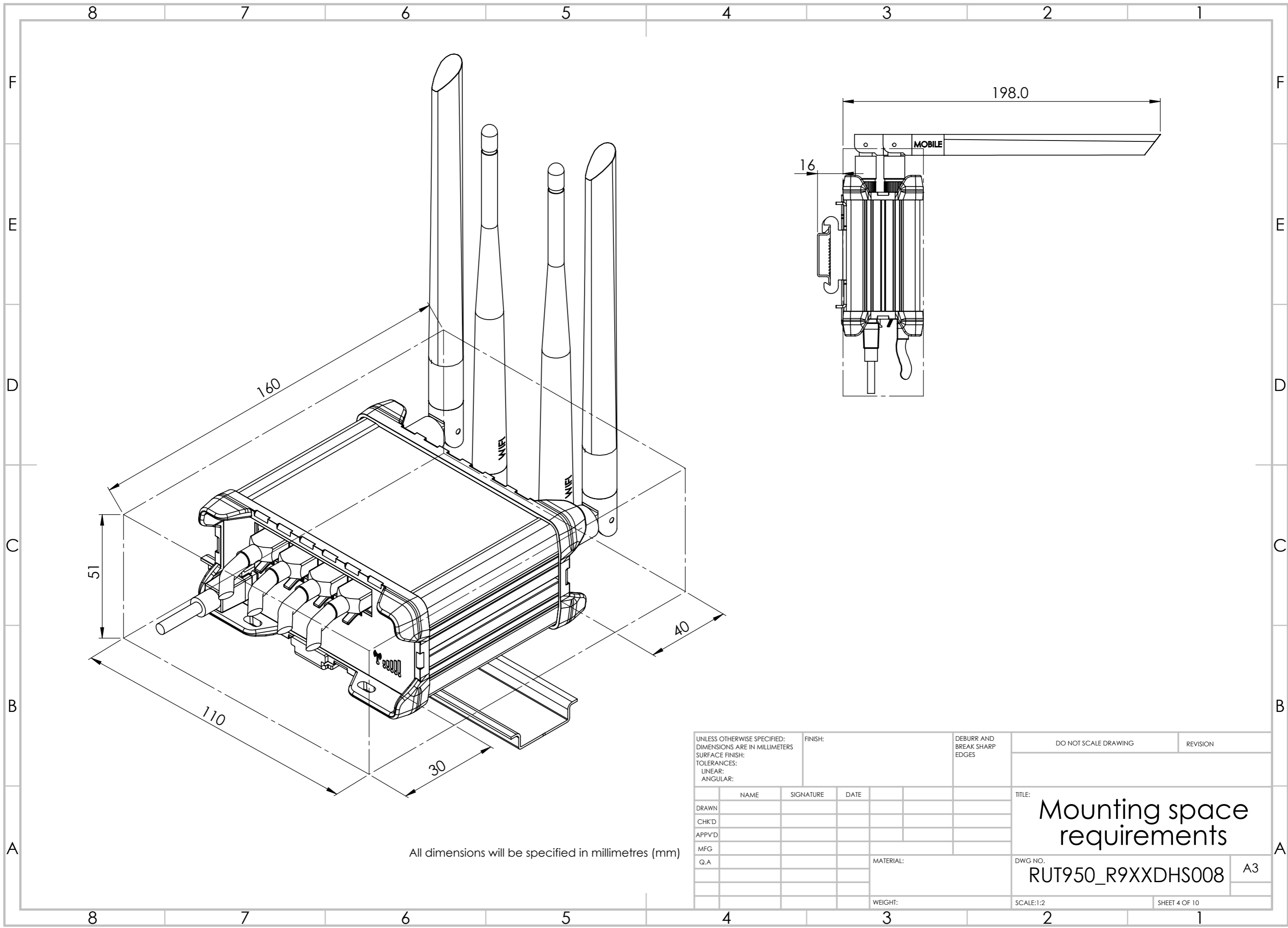
UNLESS OTHERWISE SPECIFIED: DIMENSIONS ARE IN MILLIMETERS SURFACE FINISH: TOLERANCES: LINEAR: ANGULAR:				FINISH:		DEBUR AND BREAK SHARP EDGES		DO NOT SCALE DRAWING		REVISION RUT955_v3	
											
NAME				SIGNATURE		DATE		TITLE:			
DRAWN Aidas Gaška						2018.08.01		RUT900 / RUT950 Front view			
MATERIAL:								DWG NO. RUT950_R9XXDHS008		A4	
WEIGHT:								SCALE:1:2		SHEET 2 OF 10	



DETAIL A
SCALE 1.5 : 1

All dimensions will be specified in millimetres (mm)

UNLESS OTHERWISE SPECIFIED: DIMENSIONS ARE IN MILLIMETERS SURFACE FINISH: TOLERANCES: LINEAR: ANGULAR:				FINISH:		DEBUR AND BREAK SHARP EDGES		DO NOT SCALE DRAWING		REVISION RUT955_v3	
DRAWN Aidas Gaška				SIGNATURE		DATE 2018.08.01		 RUT900 / RUT950 Rear view			
MATERIAL:				DWG NO. RUT950_R9XXDHS008		A4					
WEIGHT:				SCALE:1:2		SHEET 3 OF 10					



All dimensions will be specified in millimetres (mm)

UNLESS OTHERWISE SPECIFIED: DIMENSIONS ARE IN MILLIMETERS		FINISH:		DEBURR AND BREAK SHARP EDGES		DO NOT SCALE DRAWING		REVISION	
SURFACE FINISH:									
TOLERANCES:									
LINEAR:									
ANGULAR:									
DRAWN		NAME	SIGNATURE	DATE			TITLE:		
CHK'D							Mounting space requirements		
APPV'D							DWG NO.		
MFG							RUT950_R9XXDHS008		A3
Q.A					MATERIAL:		SCALE:1:2		
					WEIGHT:		SHEET 4 OF 10		