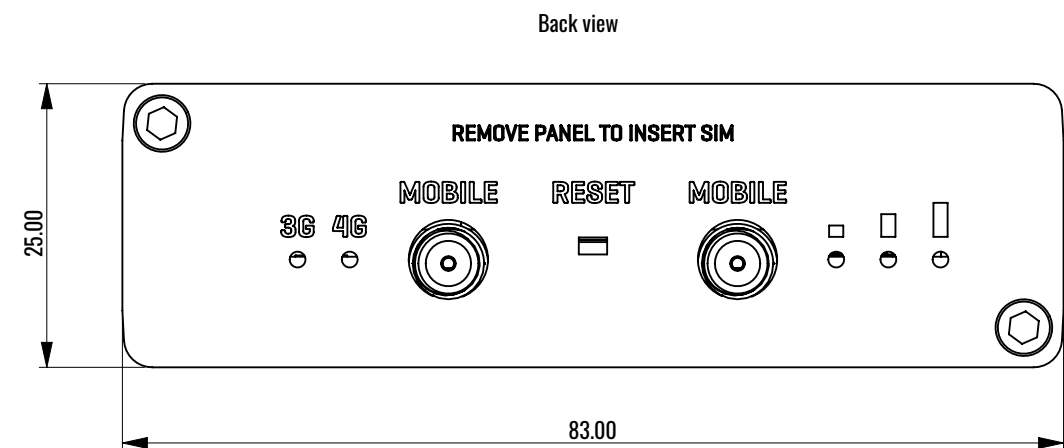
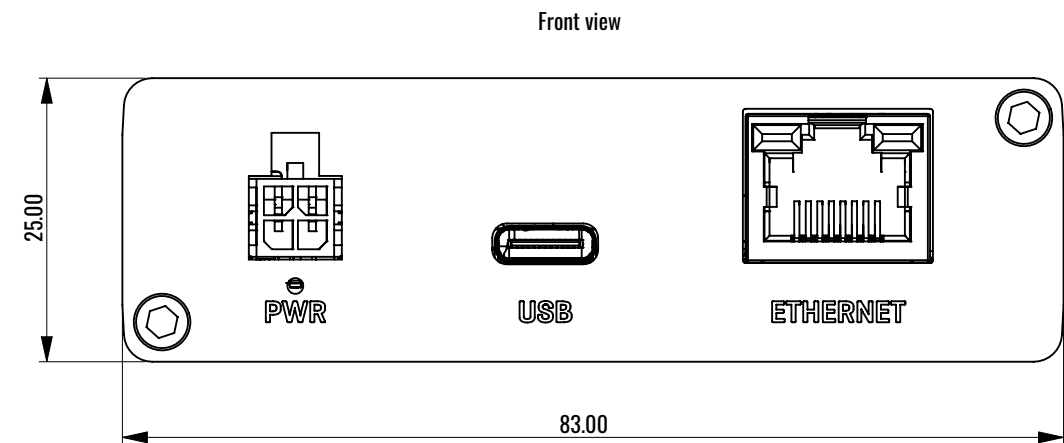
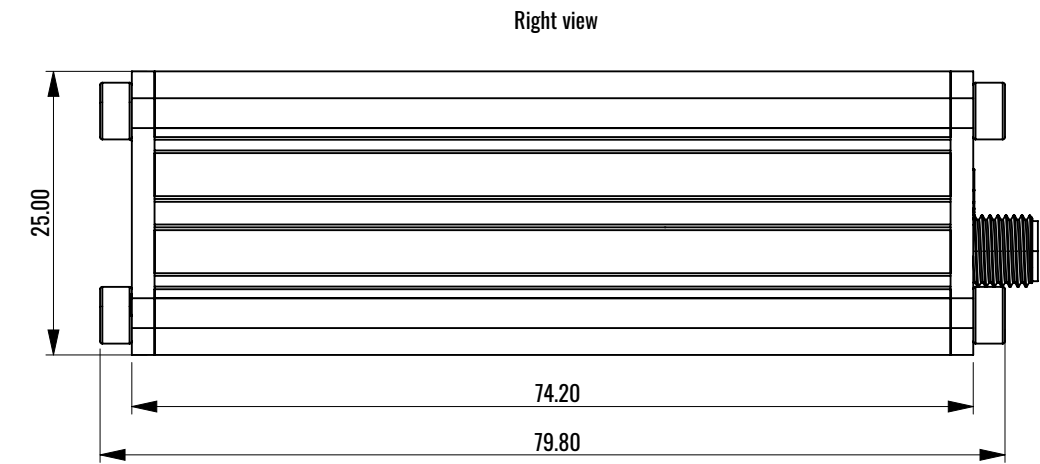
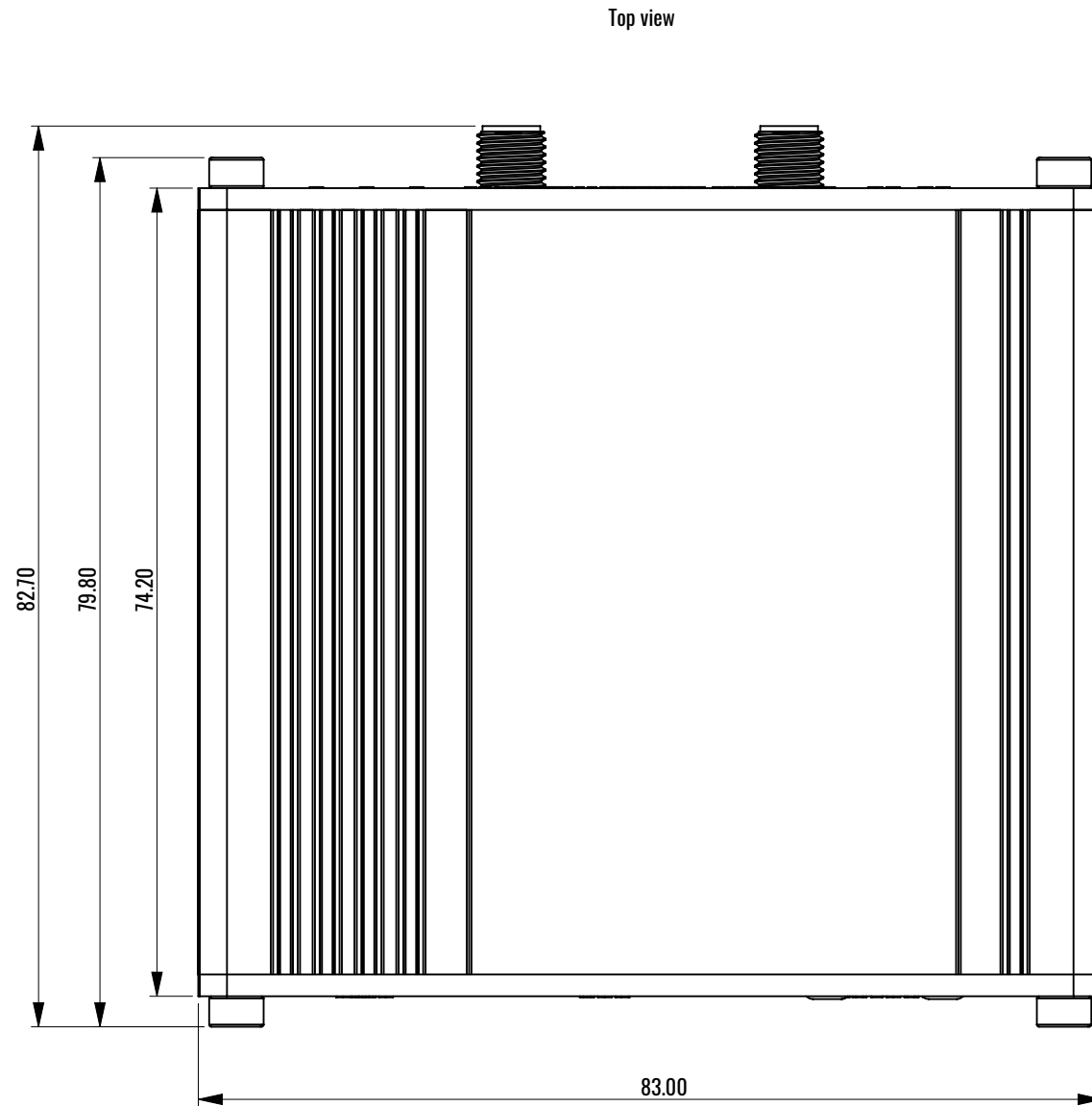
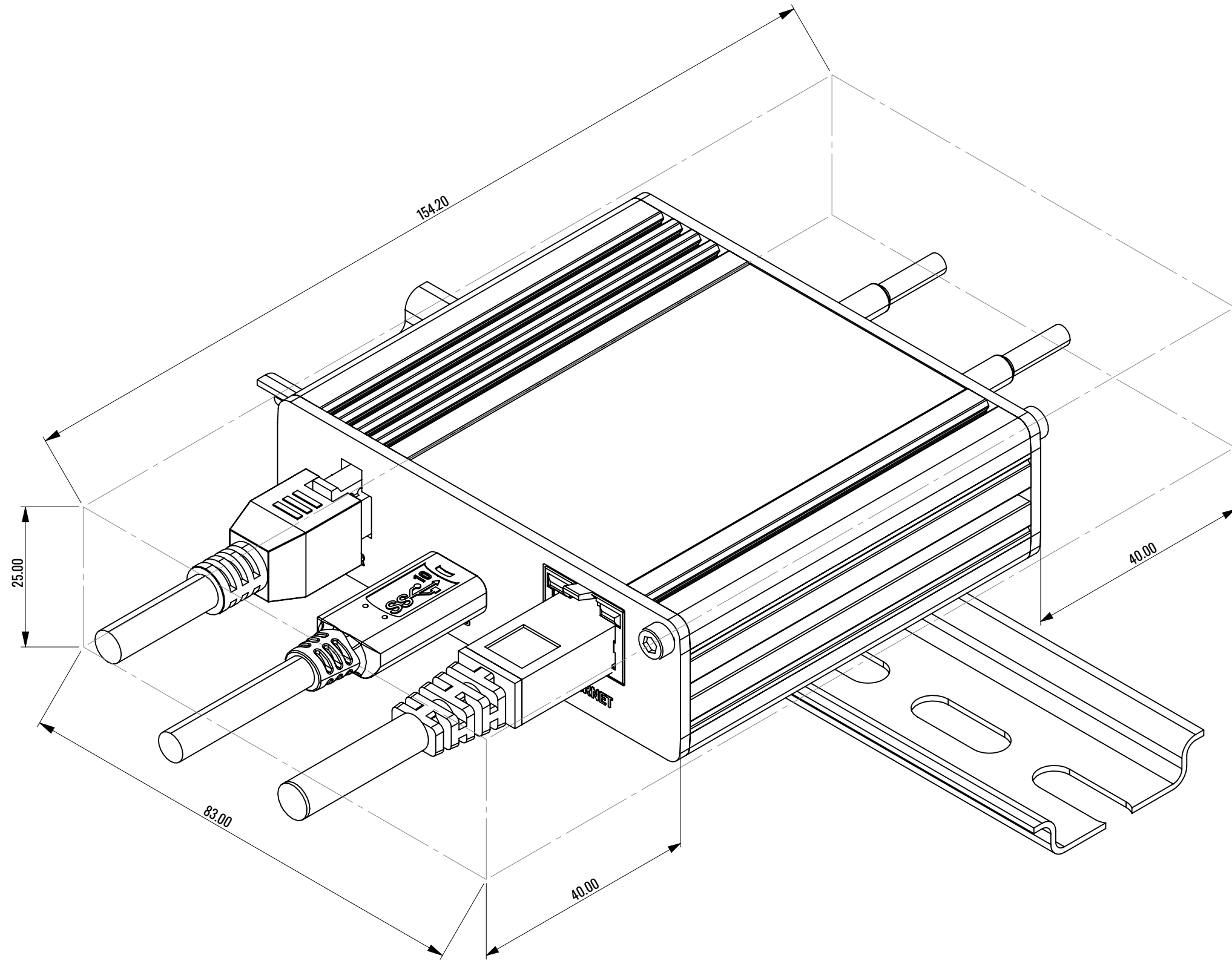


REVISIONS			
REV.	DESCRIPTION	DATE	CHANGED BY
1	Initial release	27/02/2024	GYRI



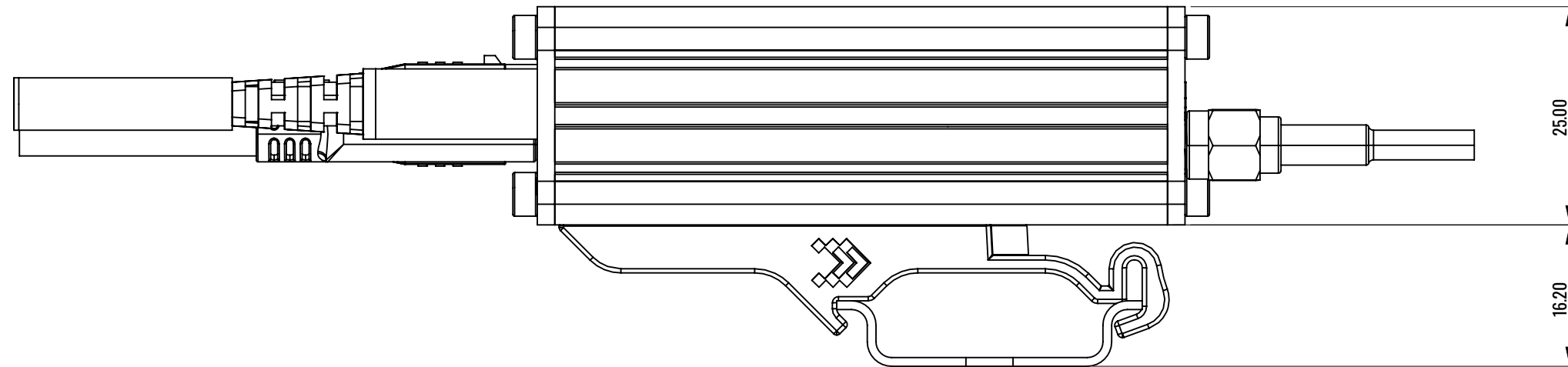
General tolerances					
Part Number:	0385_TB160DAM000X_01				
Description:	TRB160				
Drawn by:	Date:	Material:			
GYRI	27/02/2024				
Approved By:	Date:	Volume:	cm ³	Weight:	g
	Project:	Units:	mm	Scale:	1.5:1
		Form.:	A3	Sheet:	1/3

Isometric view



Part Number:	0385_TB160DAM000X_01				
Description:	TRB160				
Units:	mm	Scale:	1.5:1	Form.:	A3
				Sheet:	2/3

Right view



Part Number:	0385_TB160DAM000X_01						
Description:	TRB160						
Units:	mm	Scale:	1.5:1	Form.:	A3	Sheet:	3/3