

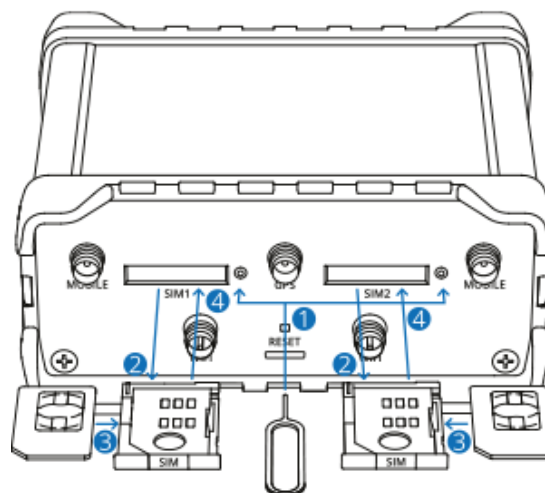
# RUT955 SIM Card

[Main Page](#) > [RUT Routers](#) > [RUT955](#) > [RUT955 Manual](#) > **RUT955 SIM Card**

This chapter provides a description on how to correctly **insert a SIM card** into a RUT955 device.

## SIM card insertion

- 1 Push the SIM holder button with the SIM needle.
- 2 Pull out the SIM holder.
- 3 Insert your SIM card into the SIM holder.
- 4 Slide the SIM holder back into the router.



The device is compatible with **mini-SIM (2FF)** size cards. But since different types of SIM cards have the same contact arrangement, smaller SIM cards can also be used with the router, provided they are inserted into a **2FF SIM card adapter**. A size perspective of the most popular SIM card types can be seen in the figure below:



**Micro-SIM (3FF)** cards can be used with a 3FF to 2FF SIM card adapter such as this one:



**Nano-SIM (4FF)** cards can be used with a 4FF to 2FF SIM card adapter such as this one:



The measurements of the different SIM card types are as follows:

SIM card format	Length (mm)	Width (mm)	Thickness (mm)
Mini-SIM (2FF)	25.00	15.00	0.76

Micro-SIM (3FF)	15.00	12.00	0.76
Nano-SIM (4FF)	12.30	8.80	0.67