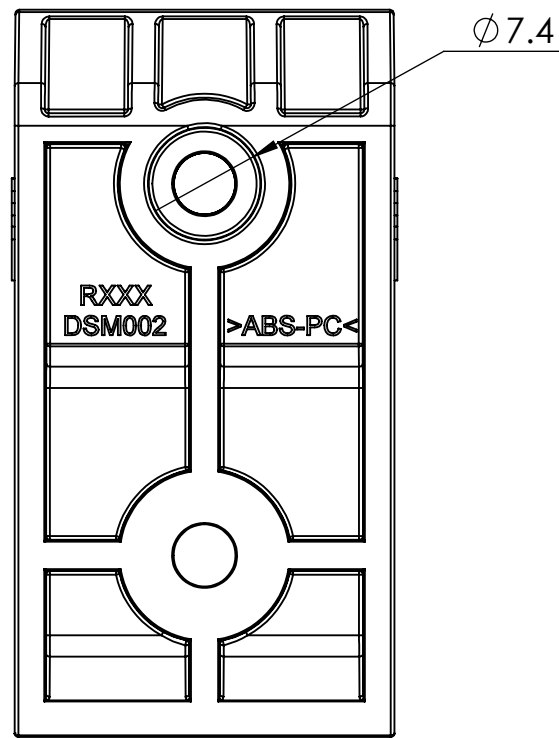
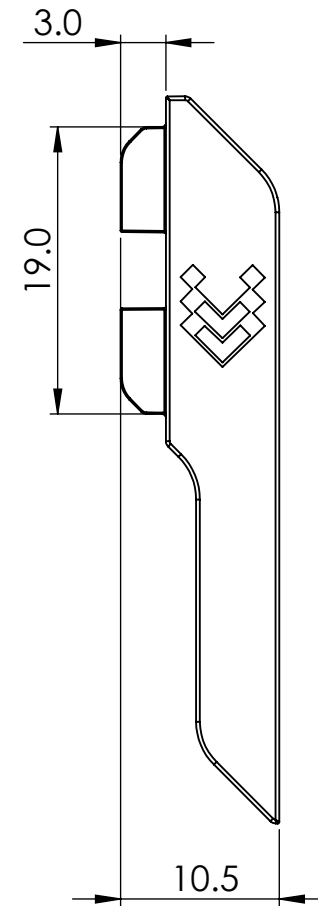


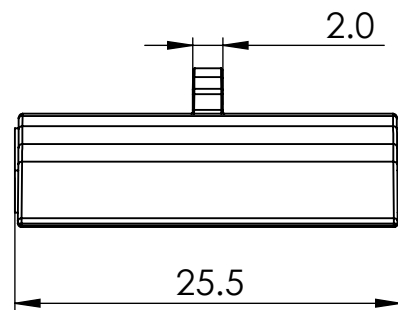
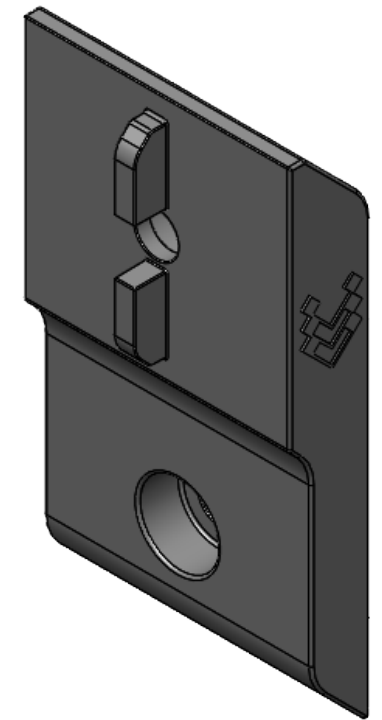
Front view



Rear view



Right view



Top view

UNLESS OTHERWISE SPECIFIED: DIMENSIONS ARE IN MILLIMETERS SURFACE FINISH: TOLERANCES: LINEAR: ANGULAR:			FINISH:		DEBURR AND BREAK SHARP EDGES		DO NOT SCALE DRAWING		REVISION		
DRAWN			NAME		SIGNATURE		DATE		TITLE: Surface mount views		
CHK'D									DWG NO. PR5MEC12		
APPV'D									A3		
MFG									SCALE:2:1		
Q.A							MATERIAL:		SHEET 1 OF 1		
							WEIGHT:				